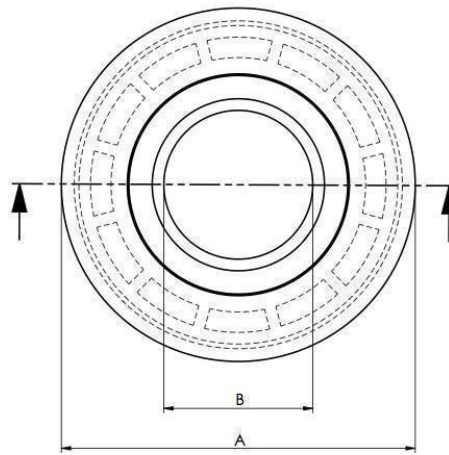
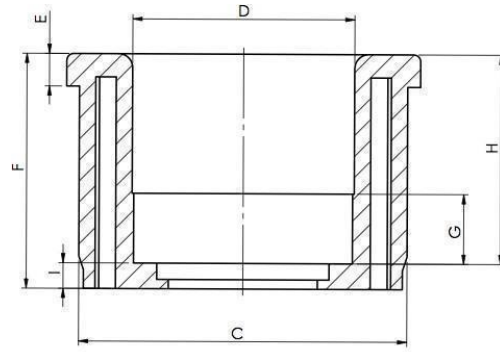


FKP Indústria de Plásticos LTDA

Rua Norbal João da Rocha, 360. Rio Maina, Criciúma, SC
(48) 3442-0003



FKP Indústria de Plásticos LTDA

Rua Norbal João da Rocha, 360. Rio Maina, Criciúma, SC

(48) 3442-0003

Mancal (mm)

Cód	Descrição	A	B	C	D	E	F	G	H	I
604	2" x 35 x 26 # 2,65	50	19	46	35	8,0	26	9,0	21	5,0
979	2" x 35 x 26 # 3,00	50	19	45	35	8,0	26	9,0	23	5,0
1015	2 ^{1/2} " x 35 x 26 # 2,65	63	18	58,5	35	8,0	26	10	21	5,0
1016	2 ^{1/2} " x 47 x 39 # 2,65	63	22	58,5	47	7,5	39	13	34	5,0
1140	3" x 35 x 30 # 1,55	76	20	73	35	7,0	30	11	22	3,0
495	3" x 35 x 30 # 2,00	76	20	72	35	7,0	30	11	22	3,0
1471	3" x 35 x 30 # 2,65	75	20	71	35	7,5	30	11	22	3,0
1675	3" x 35 x 40 # 2,65	77	20	71	35	7,5	40	11	34	6,0
1470	3" x 47 x 38 # 2,65	76	23	71	47	7,5	38	14	33	5,0
371	3" x 47 x 38 # 3,00	76	23	70	47	8,0	38	11	33	5,0
1662	3" x 47 x 38 # 2,00	76	23	72	47	8,0	38	11	33	5,0
1571	3" x 47 x 50 # 2,65	76	32	71	47	7,0	50	15	44	6,0

FKP Indústria de Plásticos LTDA

Rua Norbal João da Rocha, 360. Rio Maina, Criciúma, SC

(48) 3442-0003

514	3" x 47 x 50 # 3,00	76	32	70	47	7,0	50	15	44	6,0
494	3 ¹ / ₂ " x 47 x 39 # 3,00	88	23	83	47	8,0	39	14	34	5,0
1504	3 ¹ / ₂ " x 47 x 39 # 2,65	88	23	84	47	8,0	39	14	34	5,0
1139	4" x 47 x 43,5 # 1,95	101	22	98	47	8,0	43,5	14	39	4,5
1480	4" x 47 x 43,5 # 2,3	101	22	97,5	47	8,0	43,5	14	39	4,5
918	4" x 47 x 43,5 # 2,65	101	22	97	47	8,0	43,5	14	39	4,5
493	4" x 47 x 43,5 # 3,00	101	32	96	47	8,5	43,5	14	39	4,5
751	4" x 47 x 51 # 3,00	101	32	96	47	8,5	51	15	44	7,0
1676	4" x 47 51 # 2,65	101	32	97	47	8,5	51	15	44	7,0
758	4" x 52 x 51 # 3,00	101	32	96	52	8,5	51	15	44	7,0
700	4 ¹ / ₂ " x 47 x 43 # 3,00	114	26	109	47	8,0	43	13	38	5,0
1340	110 x 47 x 51	110	32	96	47	8,5	51	15	44	7,0
1341	110 x 52 x 51	110	32	96	52	8,5	51	15	44	7,0
1387	125 x 47 x 51	125	32	113	47	8,5	51	15	44	7,0

FKP Indústria de Plásticos LTDA

Rua Norbal João da Rocha, 360. Rio Maina, Criciúma, SC

(48) 3442-0003

826	125 x 52 x 51	125	32	113	52	8,5	51	15	44	7,0
844	5" x 47 x 51 # 3,75	125	32	120	47	8,5	51	15	44	7,0
271	5" x 52 x 51 # 3,75	125	32	120	52	8,5	51	15	44	7,0
1447	5" x 62 x 53 # 3,75	126	41	120	62	8,5	52	15	47	7,0
1213	6" x 47 x 55 # 3,75	150	42	145	47	8,0	55	16	47	8,0
1214	6" x 52 x 55 # 3,75	150	42	145	52	8,0	55	16	47	8,0
930	6" x 62 x 55 # 3,75	150	42	145	62	8,0	55	16	47	8,0